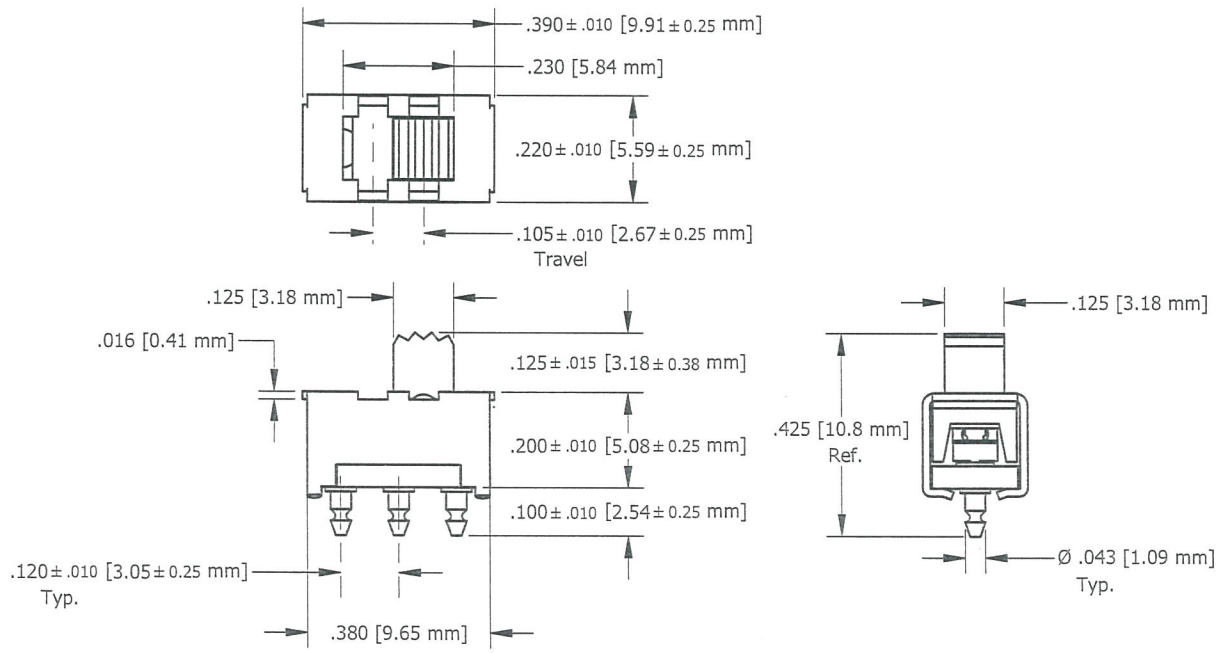


THIS INFORMATION IS CONFIDENTIAL AND PROPRIETARY TO CW INDUSTRIES INCORPORATED AND ITS AFFILIATES. IT MAY NOT BE DISCLOSED TO ANYONE, OTHER THAN CW INDUSTRIES PERSONNEL, WITHOUT WRITTEN AUTHORIZATION FROM CW INDUSTRIES INCORPORATED, SOUTHAMPTON, PENNSYLVANIA, USA.

DIMENSIONS IN INCHES (MILLIMETERS)  
 DO NOT SCALE DRAWING .....

Dwg. No.		GS-115-0105	
REVISIONS	0	NEW.	NOV 01 2018
		<i>CG 10/31/18</i>	DGW 10/24/18



Button: Nylon 6/6, Color - Black

 Southampton, Pa. 18966	Title: SWIDGET JR. ASSEMBLY S.P. - D.T.	
	TOLERANCES UNLESS OTHERWISE SPECIFIED 2 Place Decimal ± .010 METRIC 3 Place Decimal ± .005 1 Place Dec. ± .25mm Angles ..... ± 1' 2 Place Dec. ± .13mm	
Made for: CW IND.	Division: SWITCH	
Drawn by: DGW 10/24/18		
Checked by: <i>G. GULD 10-26-18</i>	Dwg. No. GS-115-0105	
Approval: <i>[Signature]</i>		

1 2 3 4 5 6 7 8 9 10

MASTER